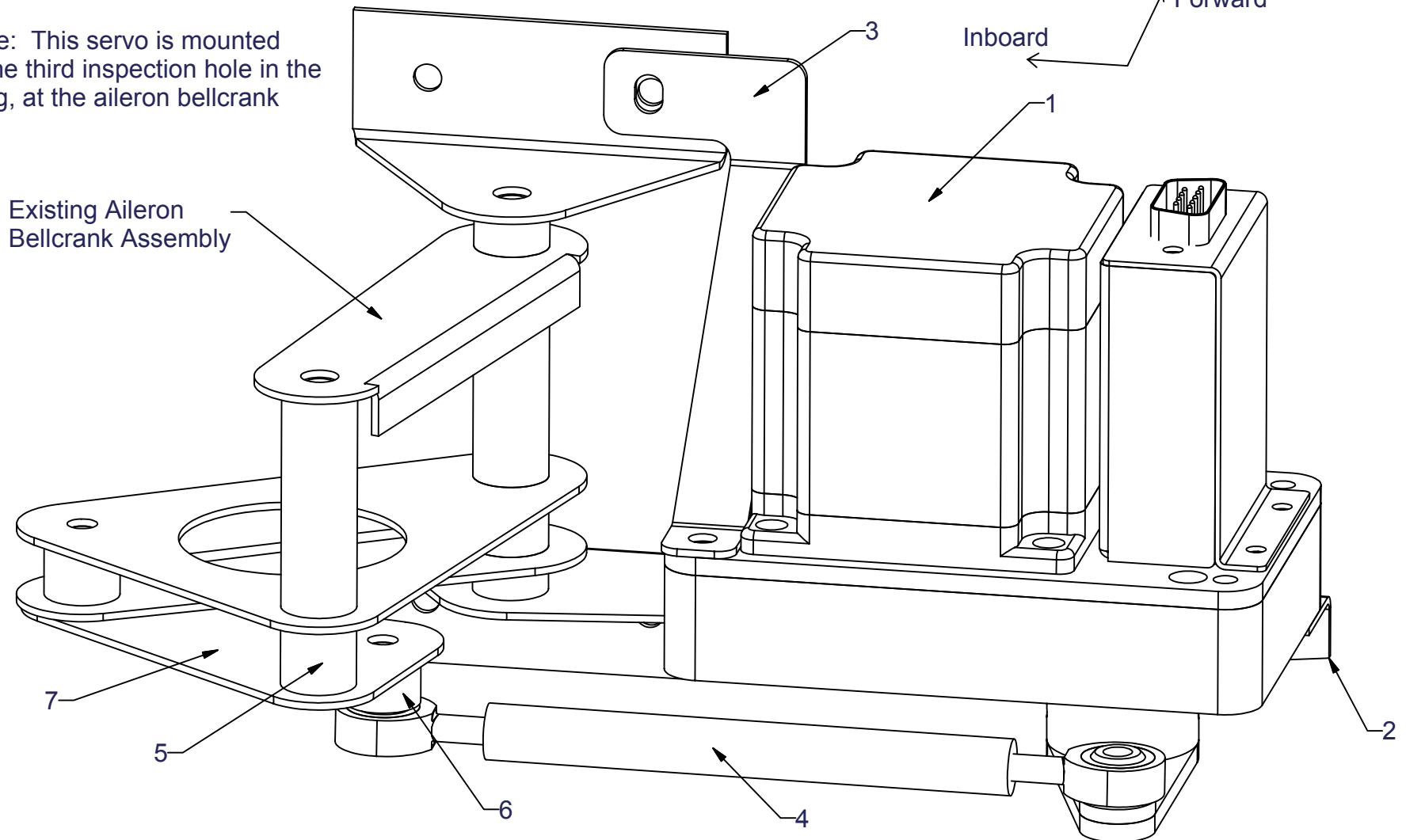


TruTrak Flight Systems			
TITLE RV-9 Roll Servo Installation			
SIZE A	DWG NO RV-9 Right Wing Installation	REV 0	
SCALE	SHEET 1 OF 3	DRAWN BY AHB	

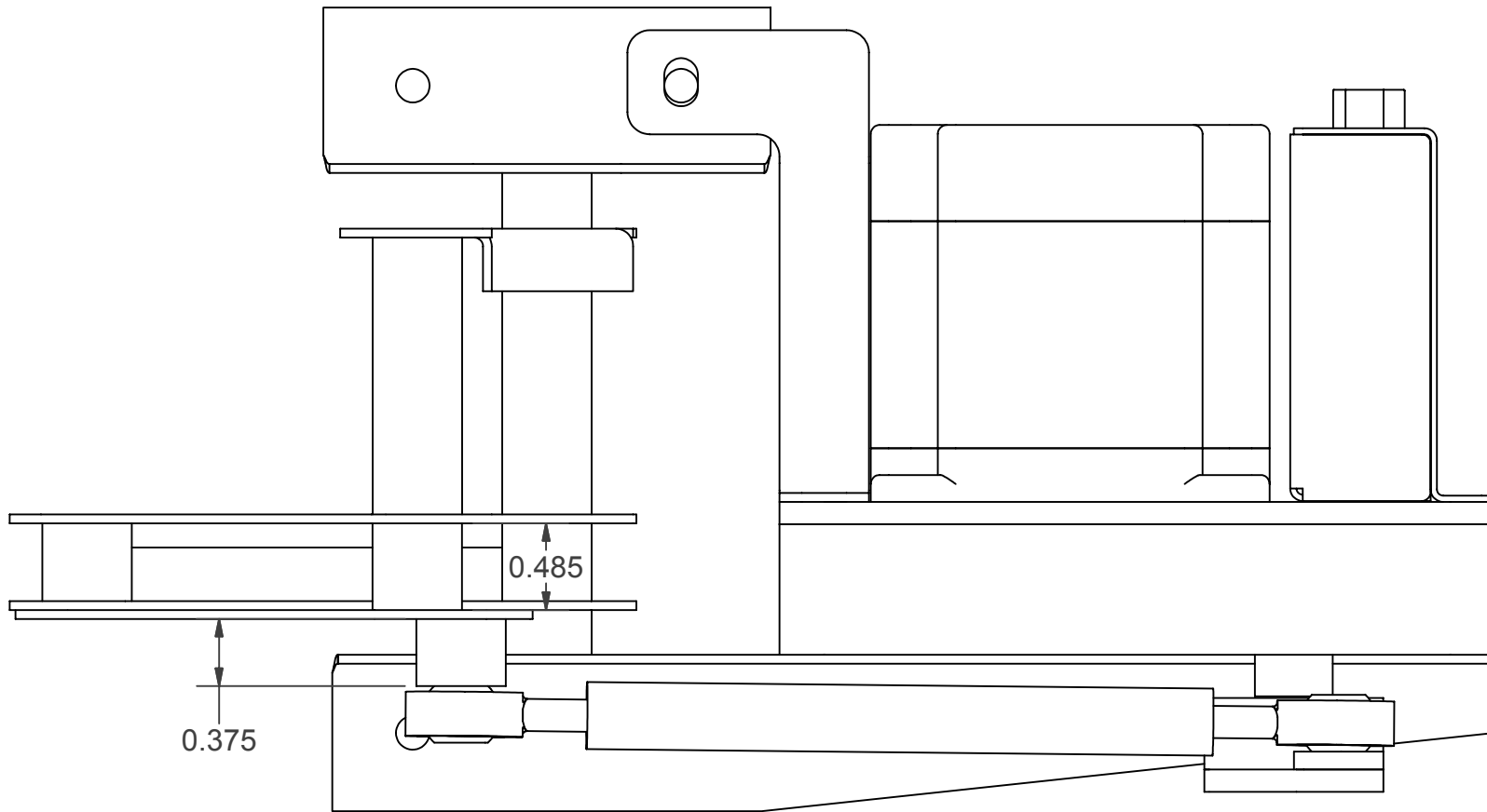
Note: This servo is mounted in the third inspection hole in the wing, at the aileron bellcrank



Existing Aileron Bellcrank Assembly

Note: Item 2 replaces existing lower bellcrank bracket

TruTrak Flight Systems			
TITLE RV-9 Roll Servo Installation			
SIZE A	DWG NO RV-9 Right Wing Installation	REV 0	
SCALE	SHEET 2 OF 3	DRAWN BY AHB	



Part #	Description
1	Servo Assembly
2	Servo Bracket
3	Servo Support
4	Push-Rod
5	Push-Rod Attach Plate
6	Spacer
7	Spacer

TruTrak Flight Systems			
TITLE <b>RV-9 Roll Servo Installation</b>			
SIZE <b>A</b>	DWG NO <b>RV-9 Right Wing Installation</b>	REV <b>0</b>	
SCALE <b>1" = 1"</b>	SHEET <b>3</b> OF <b>3</b>	DRAWN BY <b>AHB</b>	