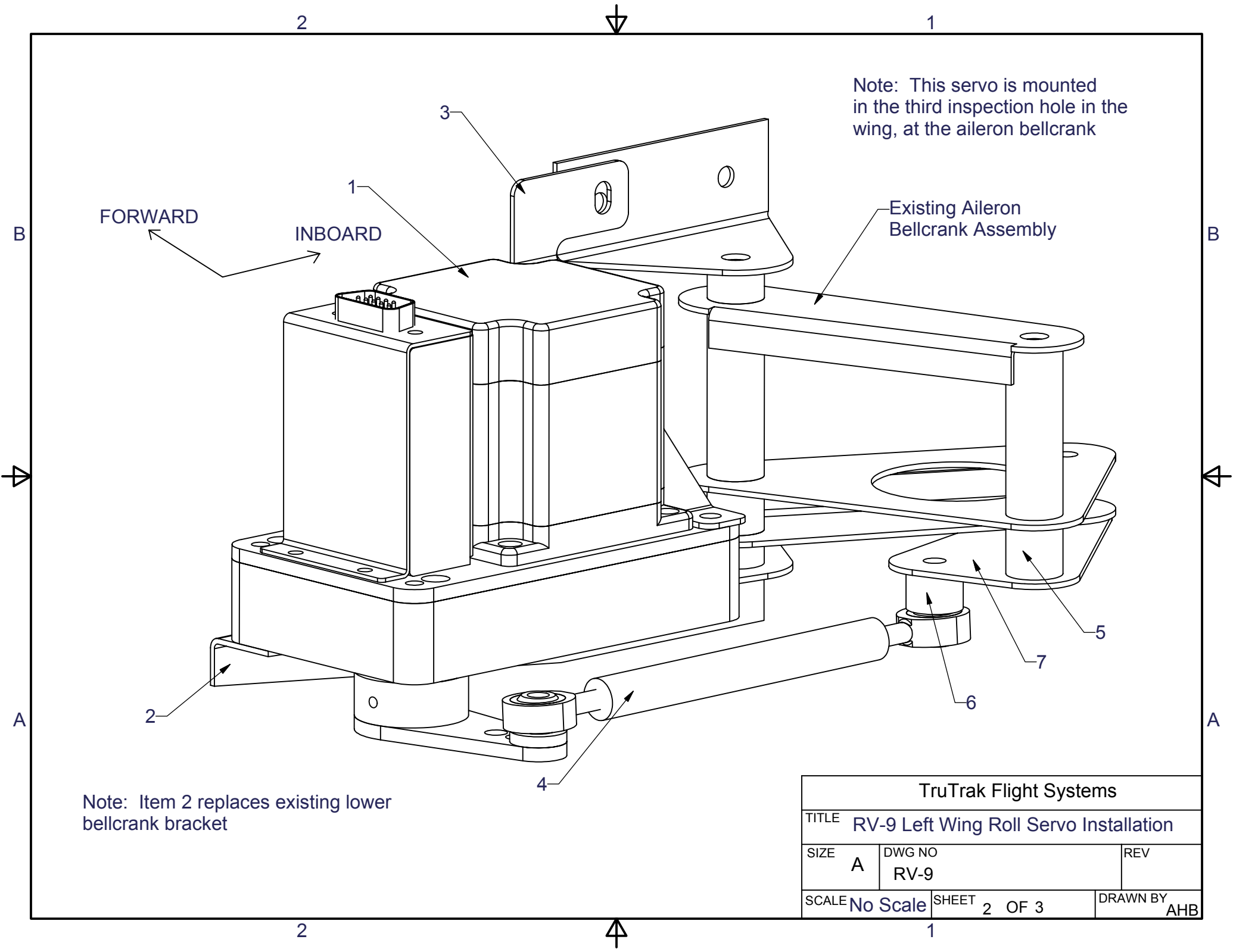


TruTrak Flight Systems			
TITLE RV-9 Left Wing Roll Servo Installation			
SIZE A	DWG NO RV-9	REV	
SCALE No Scale	SHEET 1 OF 3	DRAWN BY AHB	



Note: This servo is mounted in the third inspection hole in the wing, at the aileron bellcrank

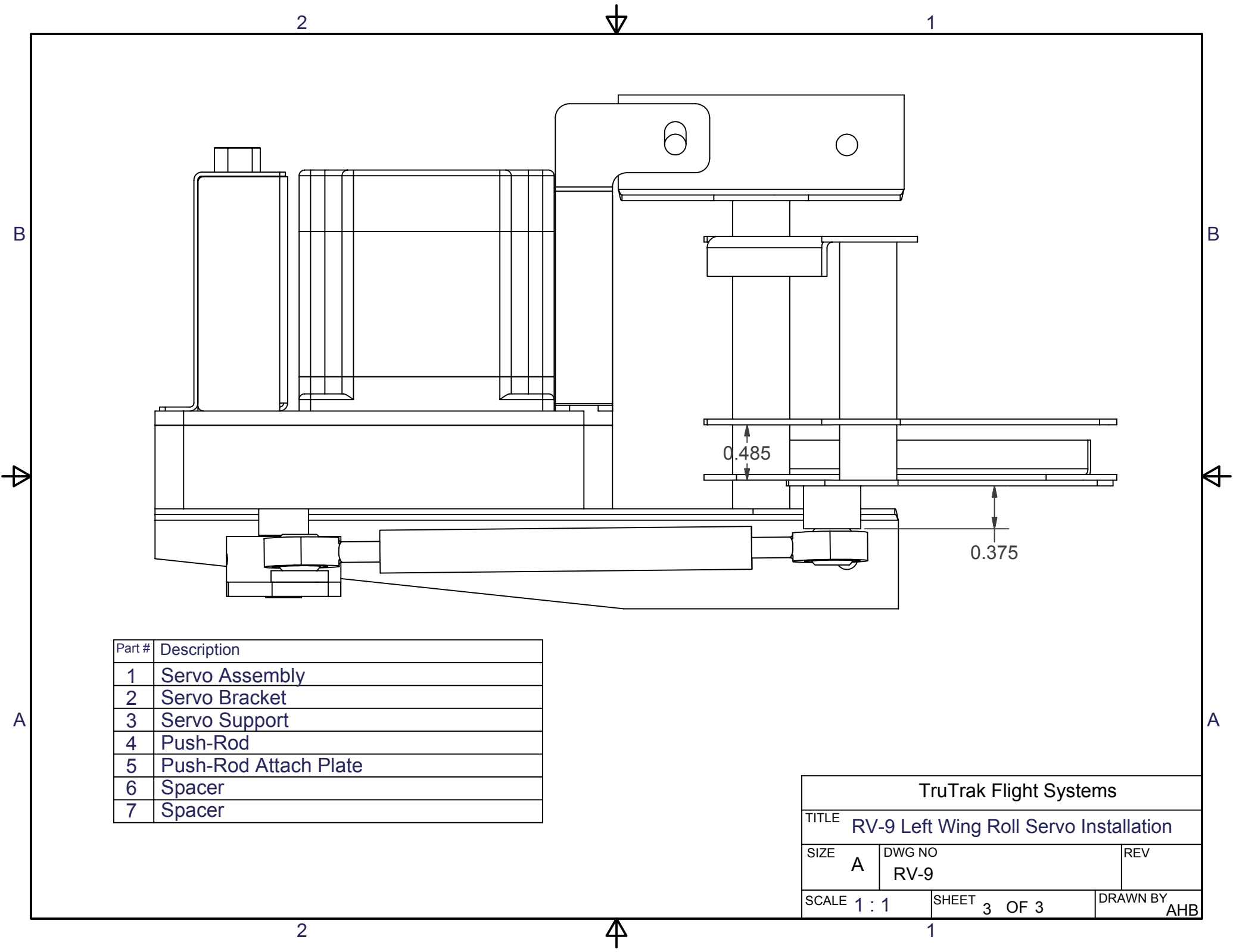
FORWARD

INBOARD

Existing Aileron Bellcrank Assembly

Note: Item 2 replaces existing lower bellcrank bracket

TruTrak Flight Systems			
TITLE		RV-9 Left Wing Roll Servo Installation	
SIZE	DWG NO	REV	
A	RV-9		
SCALE	No Scale	SHEET 2 OF 3	DRAWN BY AHB



Part #	Description
1	Servo Assembly
2	Servo Bracket
3	Servo Support
4	Push-Rod
5	Push-Rod Attach Plate
6	Spacer
7	Spacer

TruTrak Flight Systems		
TITLE RV-9 Left Wing Roll Servo Installation		
SIZE A	DWG NO RV-9	REV
SCALE 1 : 1	SHEET 3 OF 3	DRAWN BY AHB