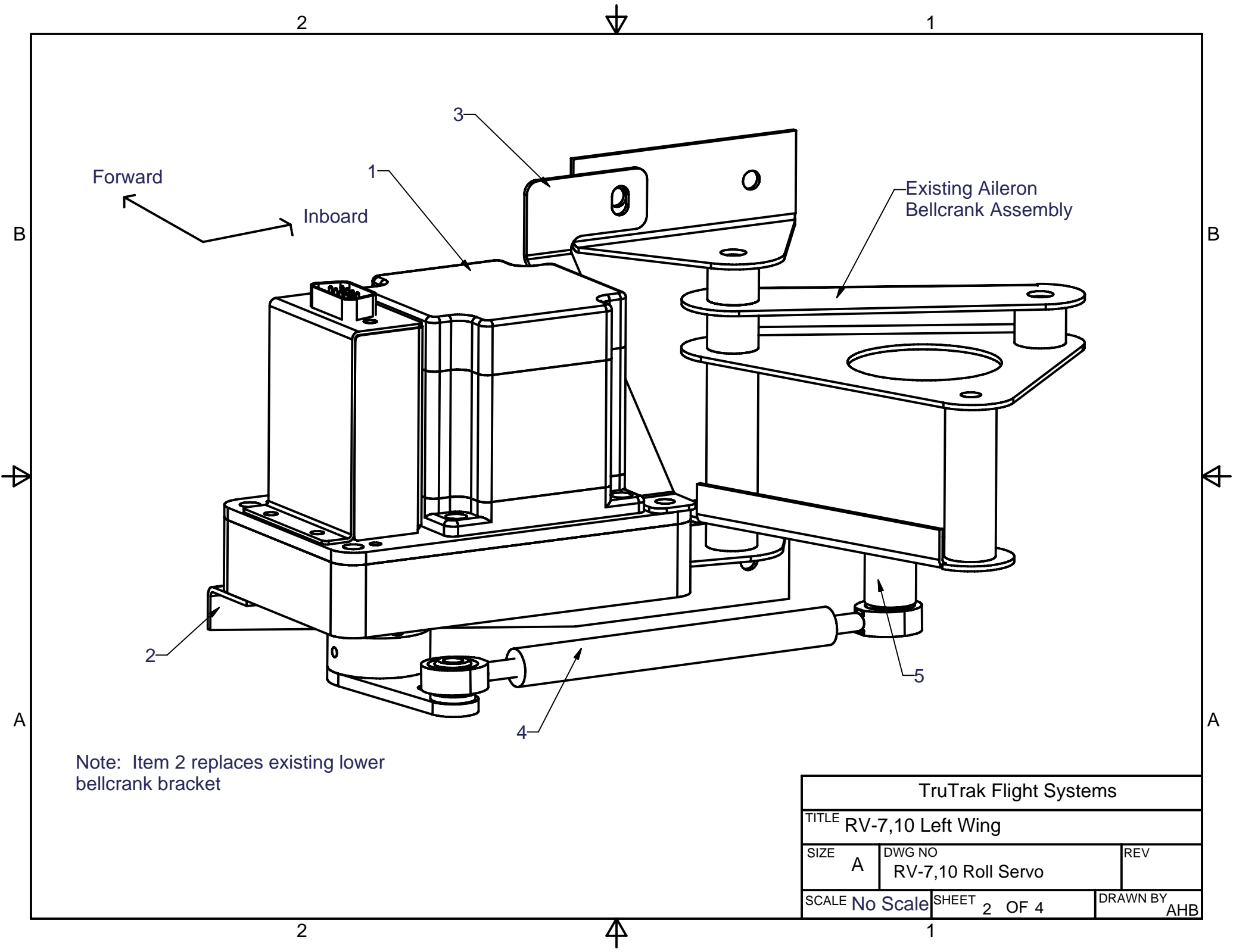
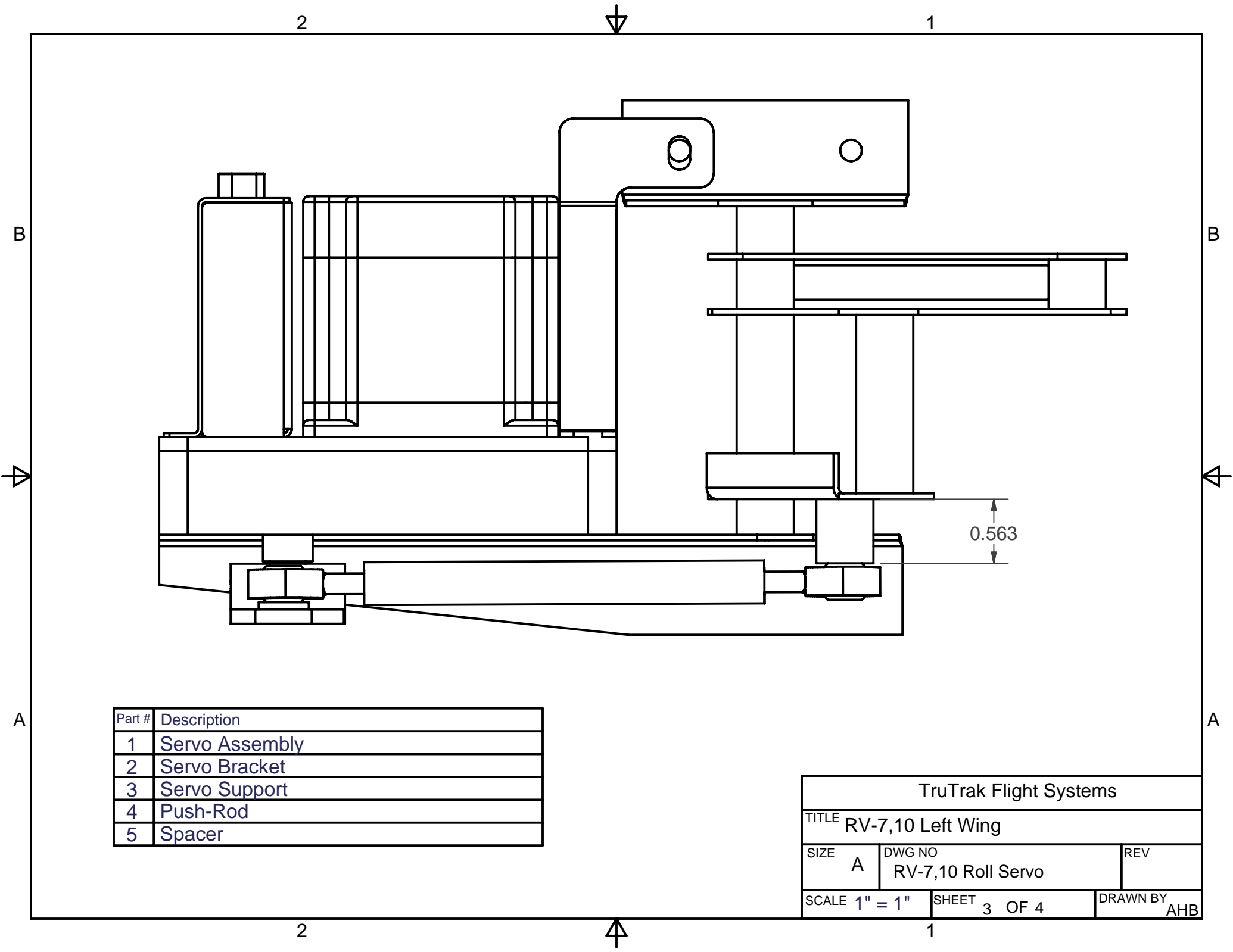


TruTrak Flight Systems			
TITLE RV-7,10 Left Wing			
SIZE A	DWG NO RV-7,10 Roll Servo	REV	
SCALE No Scale	SHEET 1 OF 4	DRAWN BY AHB	

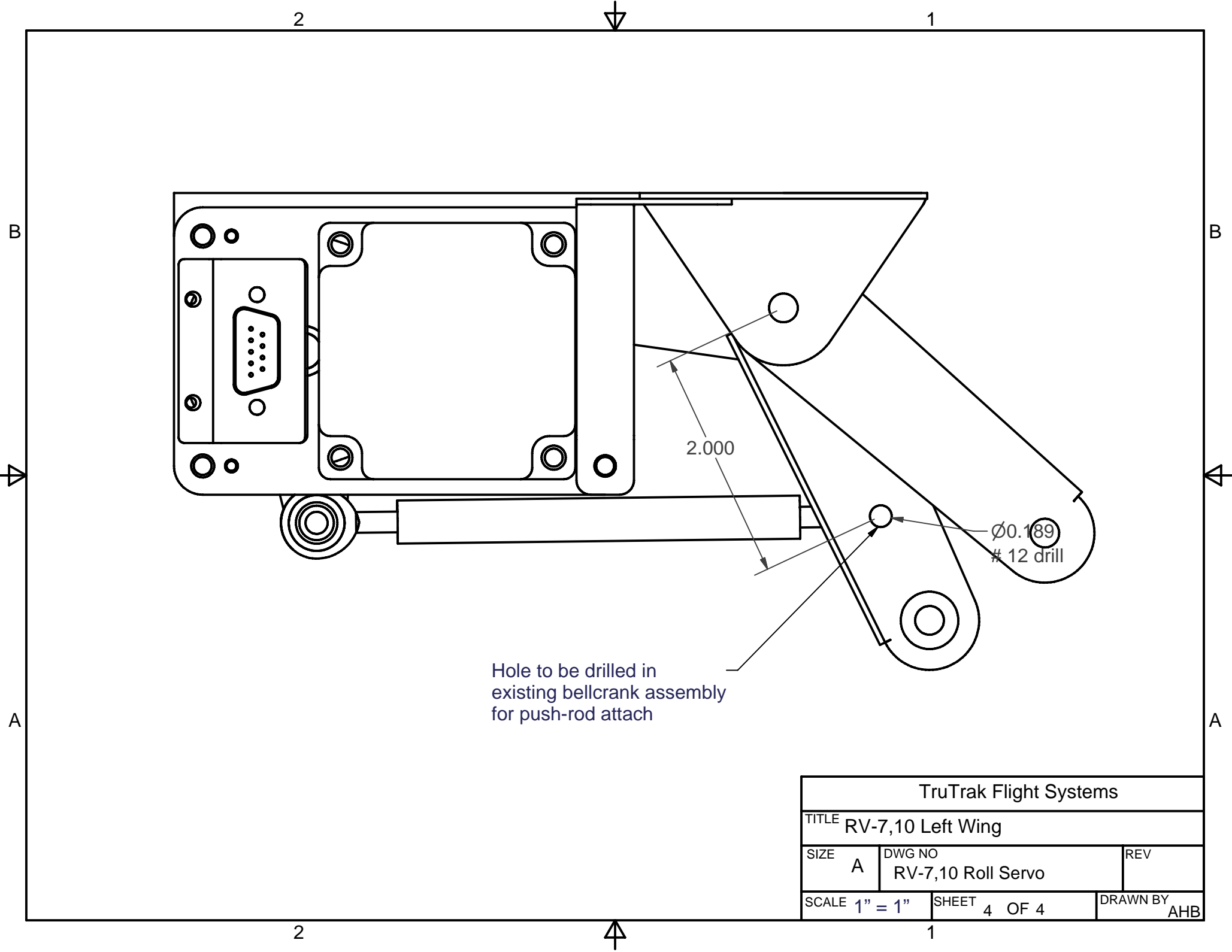


TruTrak Flight Systems			
TITLE RV-7,10 Left Wing			
SIZE A	DWG NO RV-7,10 Roll Servo	REV	
SCALE No Scale	SHEET 2 OF 4	DRAWN BY AHB	



Part #	Description
1	Servo Assembly
2	Servo Bracket
3	Servo Support
4	Push-Rod
5	Spacer

TruTrak Flight Systems		
TITLE RV-7,10 Left Wing		
SIZE A	DWG NO RV-7,10 Roll Servo	REV
SCALE 1" = 1"	SHEET 3 OF 4	DRAWN BY AHB



Hole to be drilled in
existing bellcrank assembly
for push-rod attach

TruTrak Flight Systems			
TITLE RV-7,10 Left Wing			
SIZE A	DWG NO RV-7,10 Roll Servo	REV	
SCALE 1" = 1"	SHEET 4 OF 4	DRAWN BY AHB	