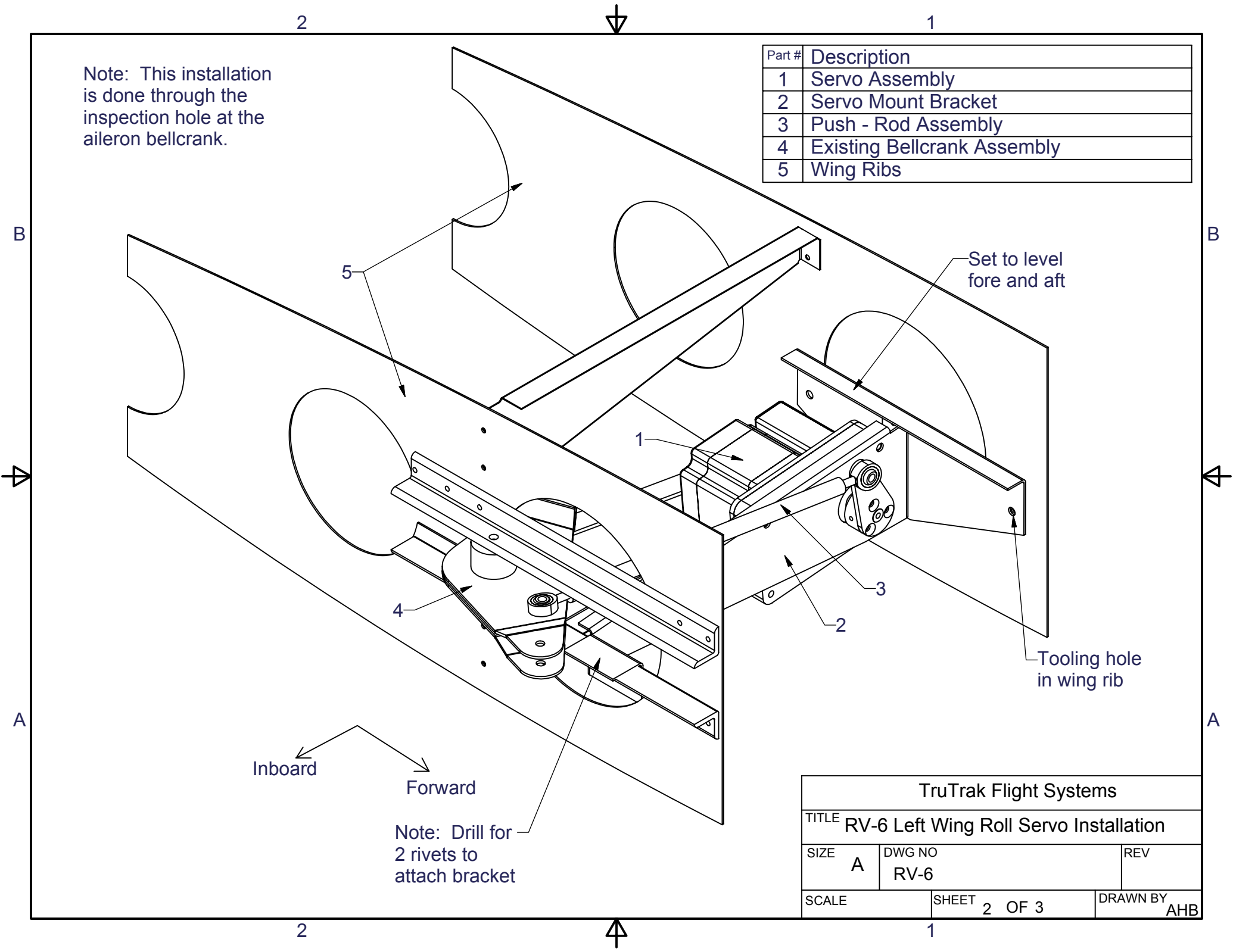


| | | | |
|--|----------|-----------------|--------|
| TruTrak Flight Systems | | | |
| TITLE RV-6 Left Wing Roll Servo Installation | | | |
| SIZE | A | DWG NO | RV-6 |
| SCALE | No Scale | SHEET | 1 OF 3 |
| | | DRAWN BY AHB | |

Note: This installation is done through the inspection hole at the aileron bellcrank.

| Part # | Description |
|--------|-----------------------------|
| 1 | Servo Assembly |
| 2 | Servo Mount Bracket |
| 3 | Push - Rod Assembly |
| 4 | Existing Bellcrank Assembly |
| 5 | Wing Ribs |



Inboard

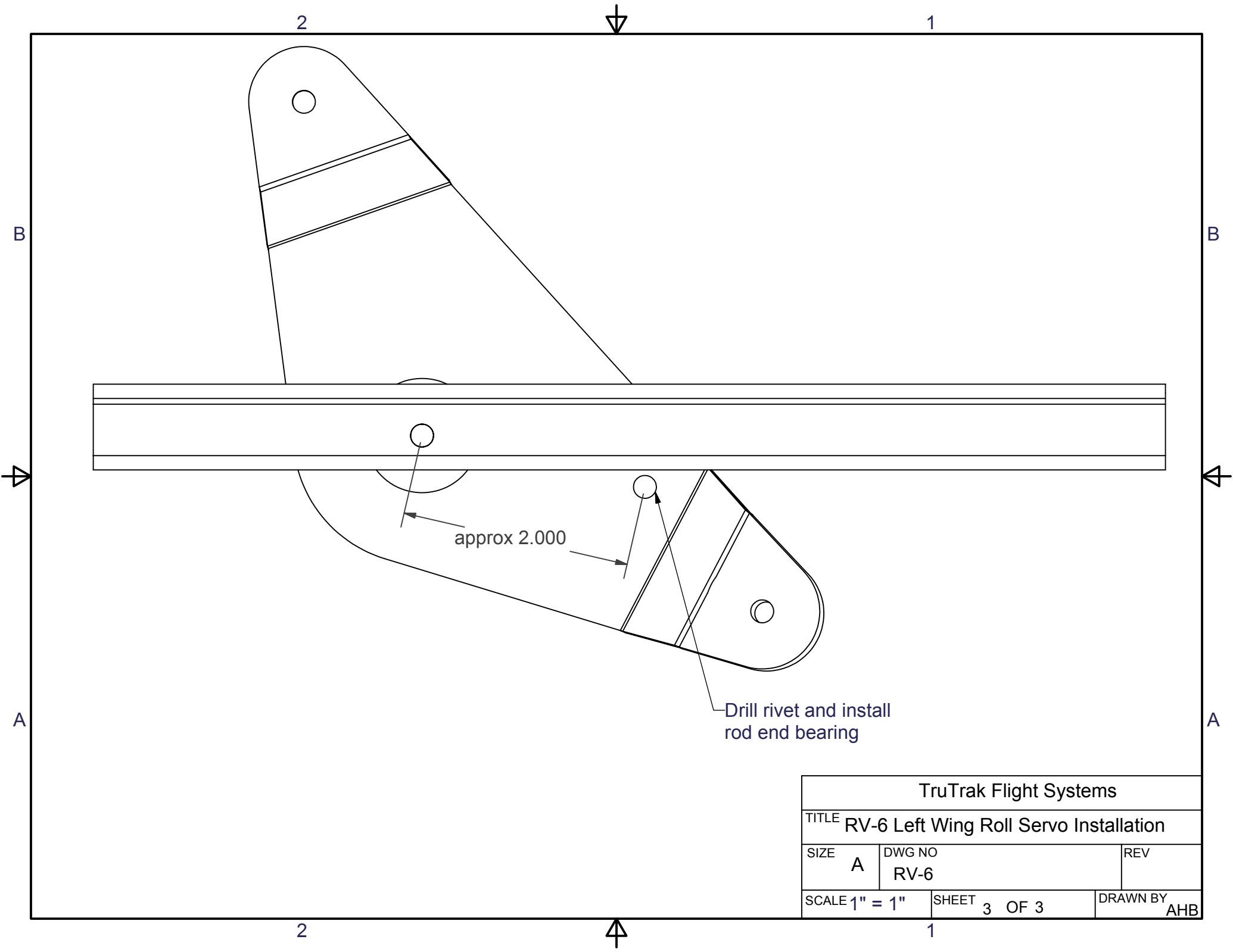
Forward

Note: Drill for 2 rivets to attach bracket

Set to level fore and aft

Tooling hole in wing rib

| | | |
|--|--------------|--------------|
| TruTrak Flight Systems | | |
| TITLE RV-6 Left Wing Roll Servo Installation | | |
| SIZE A | DWG NO RV-6 | REV |
| SCALE | SHEET 2 OF 3 | DRAWN BY AHB |



approx 2.000

Drill rivet and install rod end bearing

| | | | |
|--|----------------|-----------------|--|
| TruTrak Flight Systems | | | |
| TITLE RV-6 Left Wing Roll Servo Installation | | | |
| SIZE A | DWG NO RV-6 | REV | |
| SCALE 1" = 1" | SHEET 3 OF 3 | DRAWN BY AHB | |