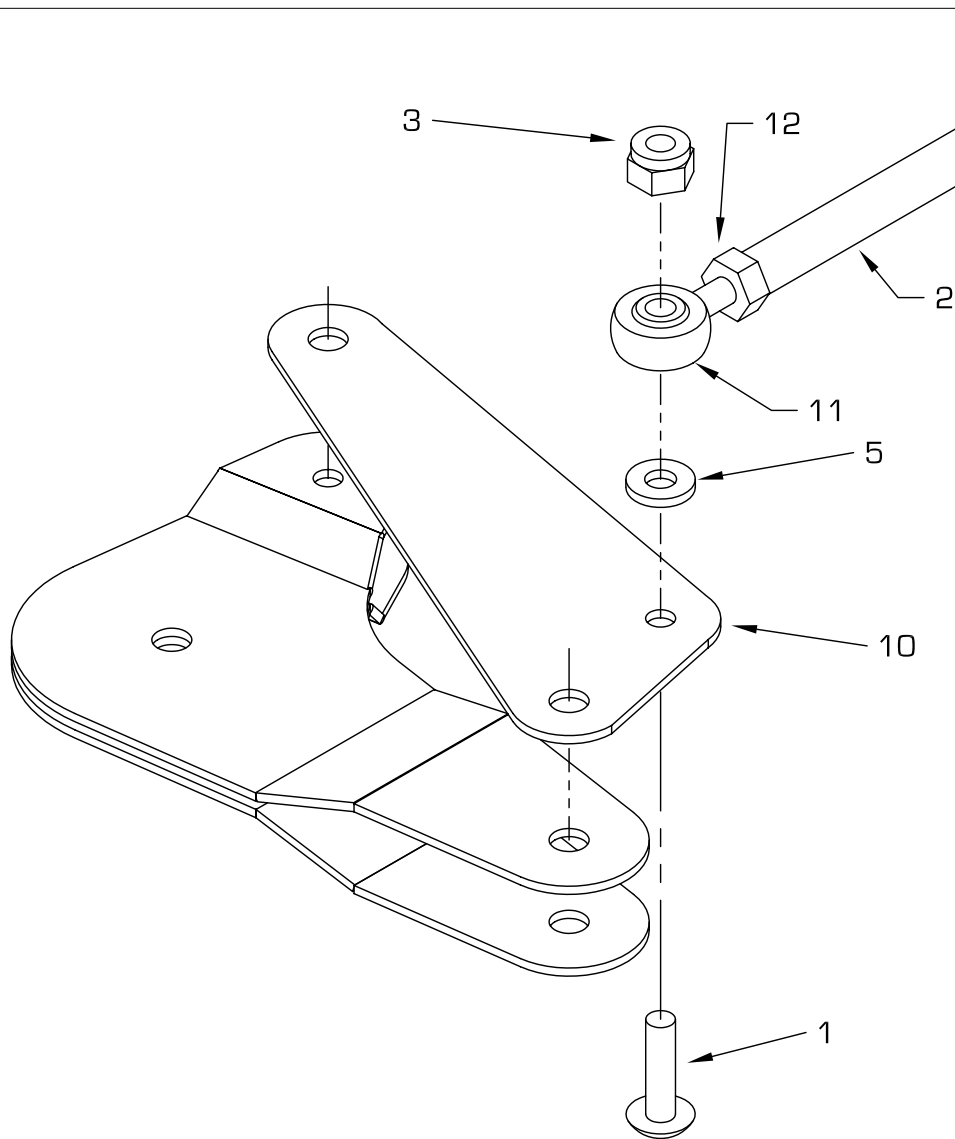
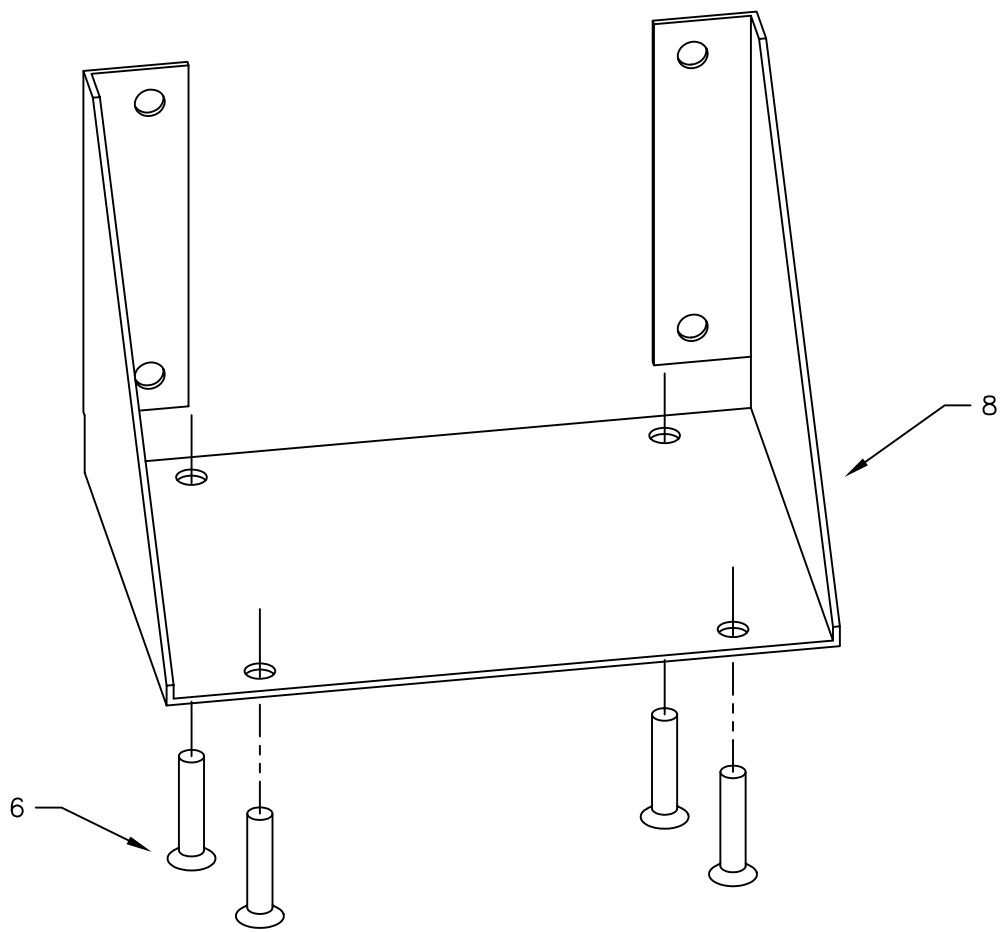


TruTrak Flight Systems
Glasair
Roll Servo Installation



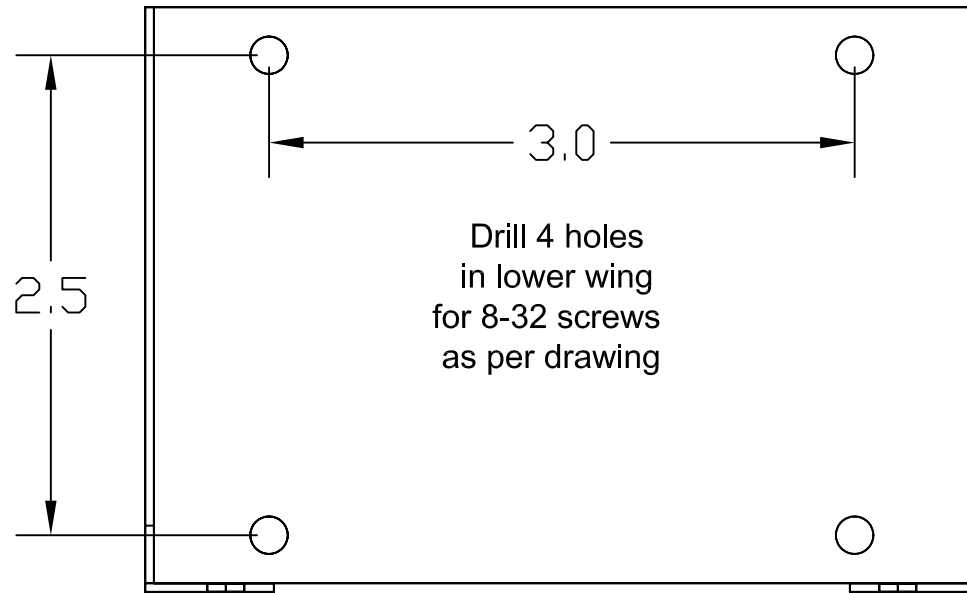
| ITEM | QTY | PART NUMBER | DESCRIPTION |
|------|-----|--------------|-------------------------|
| 1 | 1 | AN526-10R12 | 3/4 MACHINE SCREW |
| 2 | 1 | | PUSHROD |
| 3 | 2 | MS20365-1032 | SELF-LOCKING NUT |
| 4 | 1 | AN526-10R14 | 7/8 MACHINE SCREW |
| 5 | 2 | AN960-10 | WASHER |
| 6 | 4 | MS20365-832 | SELF-LOCKING NUT |
| 7 | 4 | AN526-8R20 | 1 1/4 MACHINE SCREW |
| 8 | 1 | | SERVO MOUNT BRACKET |
| 9 | 1 | | SERVO ASSEMBLY |
| 10 | 1 | | BELLCRANK ADAPTER PLATE |
| 11 | 2 | MM-3 | ROD END BEARING |
| 12 | 2 | AN315-3 | NUT |

TruTrak Flight Systems
 Glasair
 Roll Servo Installation



TruTrak Flight Systems
Glasair
Roll Servo Installation

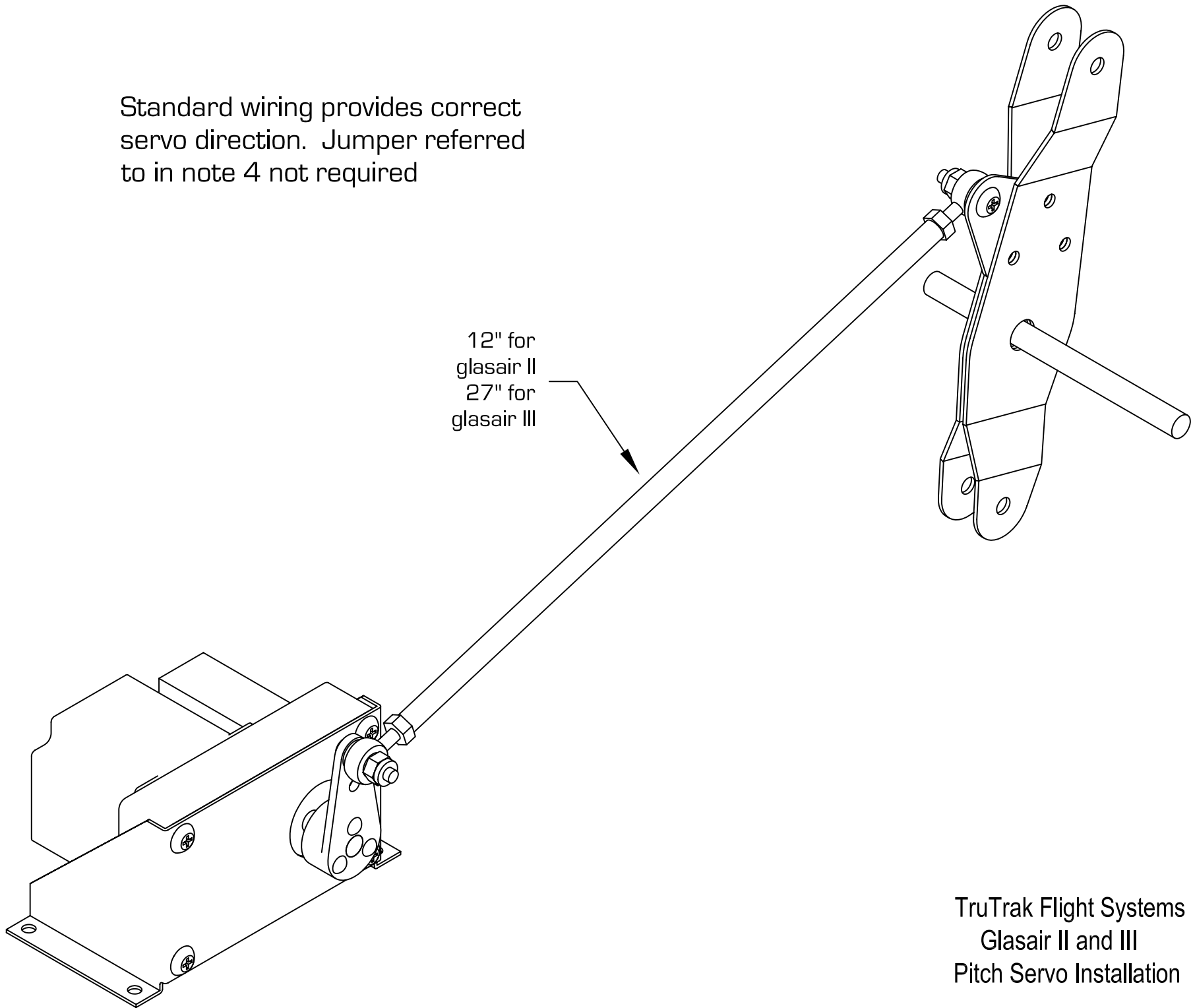
TEMPLATE



TruTrak Flight Systems
Glasair
Roll Servo Installation

Standard wiring provides correct servo direction. Jumper referred to in note 4 not required

12" for
glasair II
27" for
glasair III



TruTrak Flight Systems
Glasair II and III
Pitch Servo Installation